



PRODUCT INFORMATION S901-Frei1Pla-UQVS_TY_EN - 22.11.2021 - www.vs-furniture.com

Serie 901 Freely-shaped table I with square U-shaped leg, sideboard.

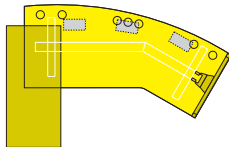
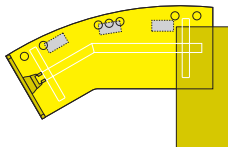
Construction with a centrally-positioned tubular-steel cross-member with welded-on brackets.

Table top of melamine-resin, veneered or linoleum-covered chipboard with plastic or wooden edges. The corners are square. Electrification (optional) is provided 1.) by means of push-on plastic cable clips or 2.) in the side segment by a fabric trough which is hinged on both sides.

Cable outlets (optional) are achieved 1.) through a maximum of 4 metal outlets or 2.) by means of an E-Box for power and data connections, in each case on the left, in the middle and on the right.

Supporting element (refer to table for position) consists of a U-shaped square tubular-steel leg of powder-coated steel and a docking position for a sideboard. Optional step height adjustment of the leg.

The following material groups are available: Frame made of steel tube: M2; Top made of chipboard: L6; Top made of linoleum: L8; Top veneered: F1.

...-UQVS ...-VSUQ				
L: U-shaped square tube R: prepared for sideboard	d = 90 / 80			21567
L: prepared for sideboard R: U-shaped square tube	d = 80 / 90		21566	
	Monitor position	on the left / on the right		
	h =	72 (68-80)		
	w =	229		