



PRODUCT INFORMATION S901-Frei1Pla-SVWW_TY_EN - 12.10.2022 - www.vs-furniture.com

Serie 901

Freely-shaped table I with post with V-shaped foot, cubic pedestal.

Construction with a centrally-positioned tubular-steel cross-member with welded-on brackets.

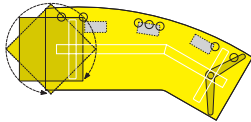
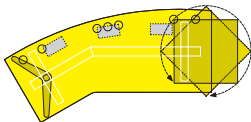
Table top of melamine-resin, veneered or linoleum-covered chipboard with plastic or wooden edges. The corners are either square or rounded.

Electrification (optional) is provided 1.) by means of push-on plastic cable clips or 2.) in the side segment by a fabric trough which is hinged on both sides.

Cable outlets (optional) are achieved 1.) through a maximum of 4 metal outlets or 2.) by means of an E-Box for power and data connections, in each case on the left, in the middle and on the right.

Supporting element (refer to table for position) consists of a post with V-shaped foot of powder-coated steel and a docking position for a cubic pedestal.

The following material groups are available: Frame made of steel tube: M2; Top made of chipboard: L6; Top made of linoleum: L8; Top veneered: F1.

| | | | |
|--|------------------|--|---|
| ...-SVWW ...-VWSV | |  |  |
| L: Supporting post with V-shaped foot R: prepared for cube pedestal | d = 90 / 80 | | 21567 |
| L: prepared for cube pedestal R: Supporting post with V-shaped foot | d = 80 / 90 | | 21566 |
| | Monitor position | on the left / on the right | |
| | h = | 72 | |
| | w = | 229 | |