



PRODUCT INFORMATION PSwing-LuPo-Schul_TY_EN - 03.02.2023 - www.vs-furniture.com

PantoSwing-LuPo Forward-flexing cantilever chair – the ergonomic seating solution.

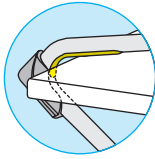

Frame made from bent, powder-coated or chrome-plated round steel tubing. For sizes 4–7 with extra sturdy cross-strut between the skids.

Chair in 6 fixed heights.

Seat shell of double-walled textured polypropylene (LuPo) for comfortable sitting with air-cushion effect. Concealed seat attachments and grip hole. Comfort model for sizes 5 and 6 with large seat shell.

Equipment and options. Glide elements for hard or soft floors or dual-component multipurpose glide elements or, optionally, interchangeable glides with replaceable glide elements. Optionally available with table edge protection for piggy-back chair stacking.

The following material groups are available: Frame made of steel tube: M1,(chrome-plated); Seat and backrest: C1.

	Seating heights (± 1 cm) for students' chairs <ul style="list-style-type: none"> ● 2 = 31 cm ● 3 = 35 cm ● 4 = 38 cm ● 5 = 43 cm ● 6 = 46 cm ● 7 = 51 cm 		Optionally with table-edge protection for piggy-back chair mounting.		
PantoSwing-LuPo					31400
	Comfort				31401
	Fixed height			2 3 4 5 6 7	
	Fixed height cm				43-46
	Seat shell			S S	M M L XL L XL