



PRODUCT INFORMATION JU-StudioTable-Edu\_TY\_EN - 11.10.2023 - www.vs-furniture.com

## JUMPER StudioTable Stackable four-legged table for school use.

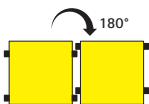
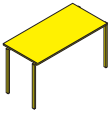

Frame consisting of welded legs with all-round edging made from powder-coated or chromium-plated precision rectangular steel tubing. Due to the asymmetrically positioned table top, the tables are stackable but can nevertheless be rotated to form continuous rows. The edge of the top frame is equipped with stacking and glide protection. Table with glide elements for hard or soft floorings or with 2C universal glide elements.

Table in 7 fixed heights.

Table top With a 19-mm melamine or laminate-coated chipboard top and glued plastic edge or a 13-mm HPL top.

Function. The rectangular table can be stacked by a single person due to the lightweight but tough materials. See table for maximum stacking capacity.

The following material groups are available: Frame made of steel: M1; Top made of chipboard: L4; HPL-top: L4; Chipboard with laminate: L2,(white writable).

	Table heights (± 2 cm) for students' desks ○ 0 = 40 cm ● 2 = 53 cm ● 3 = 59 cm ● 4 = 64 cm ● 5 = 71 cm ● 6 = 76 cm ● 7 = 82 cm					
JUMPER StudioTable	Top d = 65 cm		22440	22441	22442	22443
	Top w cm		65	75	130	130/65
	w Total cm		71	81	136	
	Fixed height		○ 0 ● 2 ● 3 ● 4 ● 5 ● 6 ● 7			
	Stacking height	Size 0-4	8			
	Stacked footprint w-d cm		71-93	81-93	136-93	
Stacking height	Size 5-7	6				
Stacked footprint w-d cm		71-85	81-85	136-85		