



**PRODUCT INFORMATION** PSwing-VF-Schu\_TY\_EN - 07.08.2023 - www.vs-furniture.com

## PantoSwing-VF Forward-flexing cantilever chair – the ergonomic seating solution.

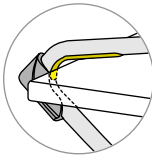
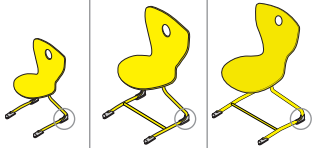
Frame of one-piece bent powder-coated or chrome-plated round steel tube. With extra stable cross member between the skids.

Chair in 6 fixed heights.

Seat shell made from plywood (VF) with anti-slip paint and invisible seat mounting. Comfort model for sizes 5 and 6 with large seat shell.

Equipment and options. Glide elements for hard or soft floors or dual-component multipurpose glide elements or, optionally, interchangeable glides with replaceable glide elements. Optionally available with table edge protection for piggy-back chair stacking.

The following material groups are available: Frame made of steel tube: M1,(chrome-plated); Seat and backrest: H1.

		Seating heights (± 1 cm) for students' chairs <ul style="list-style-type: none"> <li>● 2 = 31 cm</li> <li>● 3 = 35 cm</li> <li>● 4 = 38 cm</li> <li>● 5 = 43 cm</li> <li>● 6 = 46 cm</li> <li>● 7 = 51 cm</li> </ul>		Optionally with table-edge protection for piggy-back chair mounting.		
PantoSwing-VF					31420	
	Comfort					31421
	Fixed height			2 3 4 5 6 7		
	Fixed height cm					43-46
	Seat shell			S S	M M L XL	L XL