



**PRODUCT INFORMATION** PSwing-LuPo-Schul\_TY\_EN - 03.02.2023 - www.vs-furniture.com

## PantoSwing-LuPo Forward-flexing cantilever chair – the ergonomic seating solution.

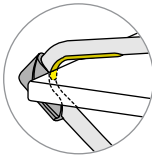

Frame made from bent, powder-coated or chrome-plated round steel tubing. For sizes 4–7 with extra sturdy cross-strut between the skids.

Chair in 6 fixed heights.

Seat shell of double-walled textured polypropylene (LuPo) for comfortable sitting with air-cushion effect. Concealed seat attachments and grip hole. Comfort model for sizes 5 and 6 with large seat shell.

Equipment and options. Glide elements for hard or soft floors or dual-component multipurpose glide elements or, optionally, interchangeable glides with replaceable glide elements. Optionally available with table edge protection for piggy-back chair stacking.

The following material groups are available: Frame made of steel tube: M1,(chrome-plated); Seat and backrest: C1.

|                 |   |   |  |   |               |
|-----------------|---|---|--|---|---------------|
|                 | Seating heights (± 1 cm) for students' chairs<br><ul style="list-style-type: none"> <li>● 2 = 31 cm</li> <li>● 3 = 35 cm</li> <li>● 4 = 38 cm</li> <li>● 5 = 43 cm</li> <li>● 6 = 46 cm</li> <li>● 7 = 51 cm</li> </ul> |  | Optionally with table-edge protection for piggy-back chair mounting. |  |               |
| PantoSwing-LuPo |   |   |  |   | 31400         |
|                 | Comfort   |   |  |   | 31401         |
|                 | Fixed height  |   |  | 2 3 4 5 6 7   |               |
|                 | Fixed height cm   |   |  |   | 43-46         |
|                 | Seat shell  |   |  | S S   | M M L XL L XL |